

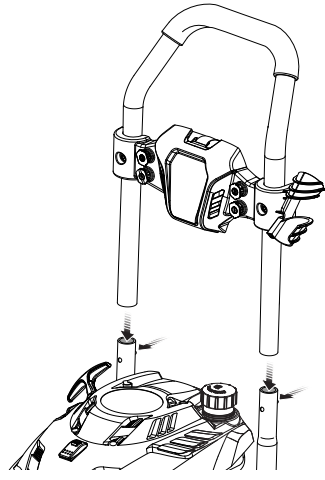
# RY803100 QUICK REFERENCE GUIDE

## ⚠ WARNING:

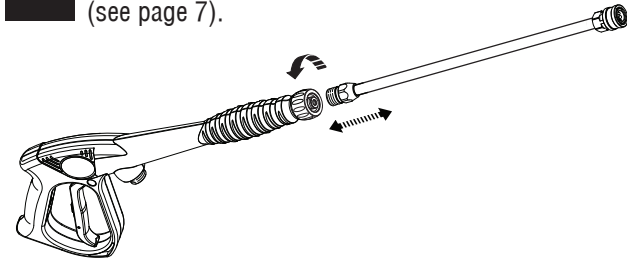
This Quick Reference Guide is not a substitute for reading the operator's manual. To reduce the risk of injury or death, user must read and understand operator's manual before using this product. All page references refer to the operator's manual.

### FIRST TIME ASSEMBLY

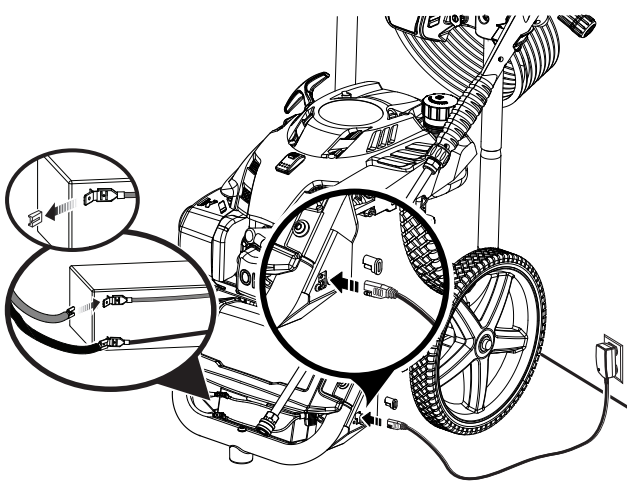
1 Install the handle (see page 7).



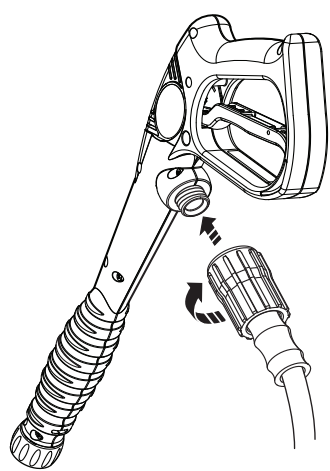
2 Connect the spray wand to the trigger handle (see page 7).



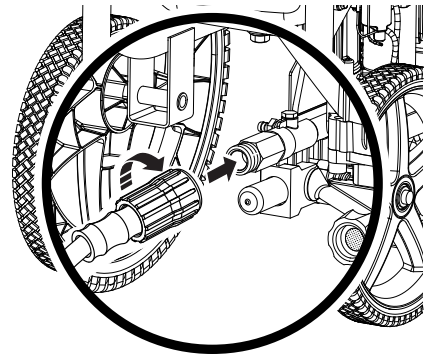
3 Remove the cap from the positive (+) terminal. Connect the red female wire to the red male wire on the positive (+) terminal. (see page 7).  
NOTE: Fully charge the battery prior to use (see page 15).



4 Connect the high pressure hose to the trigger handle (see page 8).

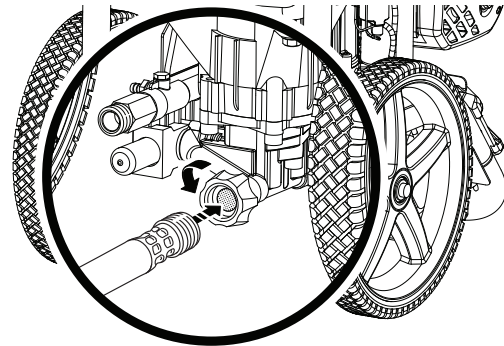


5 Connect the high pressure hose to the pump (see page 8).



Completely uncoil and straighten high pressure hose to prevent kinks.

6 Connect your garden hose to the pressure washer (see page 8).



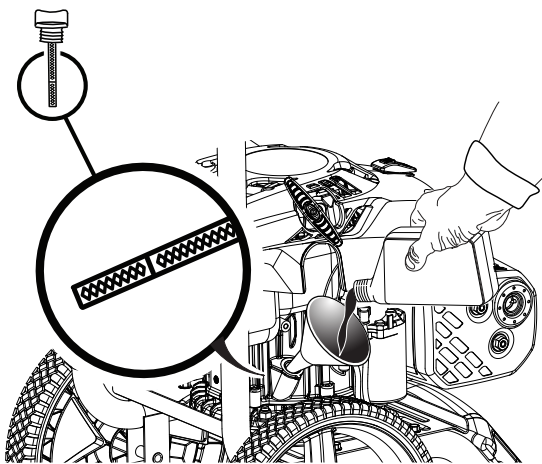
Completely uncoil garden hose or remove completely from reel to prevent kinks.

Turn water faucet on fully.

Make sure there are no leaks.

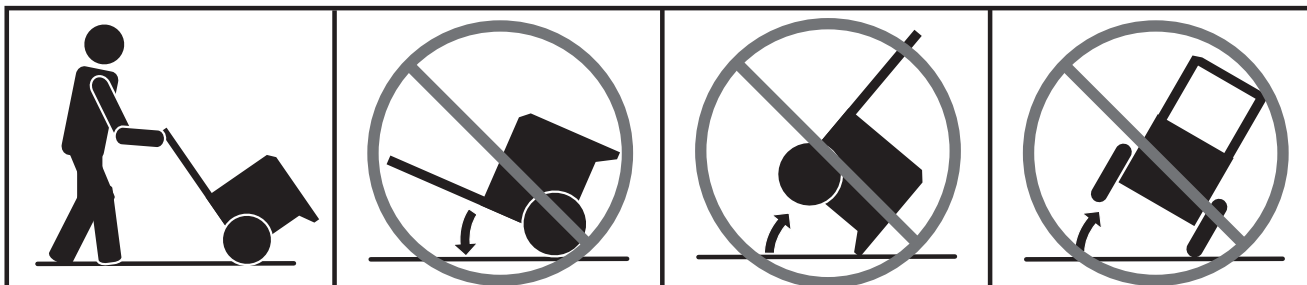
With no nozzle installed, squeeze the trigger to relieve air pressure. Hold the trigger until a steady stream of water appears.

7 Add entire bottle of lubricant provided to the pressure washer (see page 10).



Turn the fuel valve to CLOSE before adding lubricant.  
Set unit on flat surface so engine is level. Remove dipstick, wipe clean, put back in hole (but don't screw in) and check lubricant level.

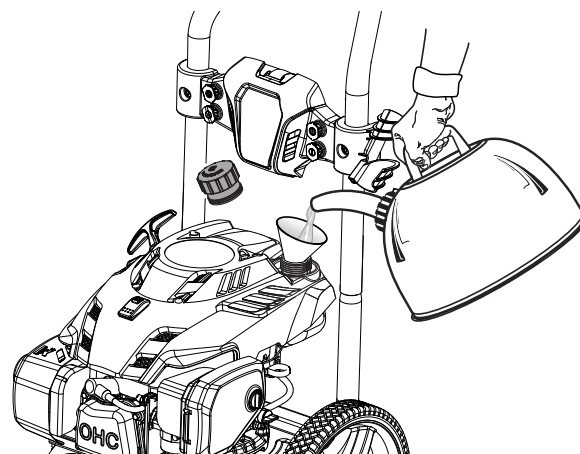
### DO NOT OVERTILT THE UNIT!



### STARTING THE UNIT (COLD START)

1 Add fuel (see page 10).

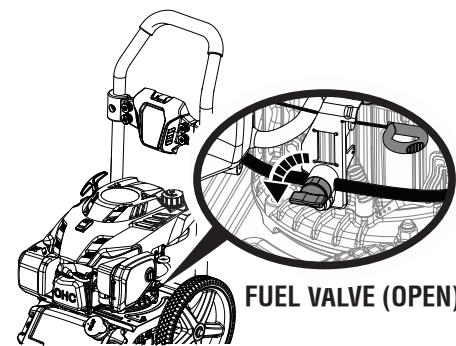
**NOTICE:** Do not use E15 or E85 fuel in this product. It is a violation of federal law and will damage the unit and void your warranty. Only use unleaded gasoline containing up to 10% ethanol.



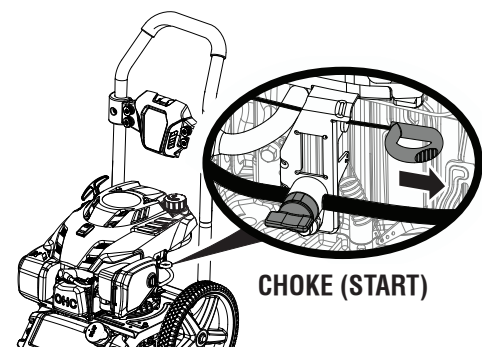
This is a 4-cycle engine. Do not mix fuel and lubricant together.

Mix fuel stabilizer with gasoline according to manufacturer's directions prior to filling the tank.

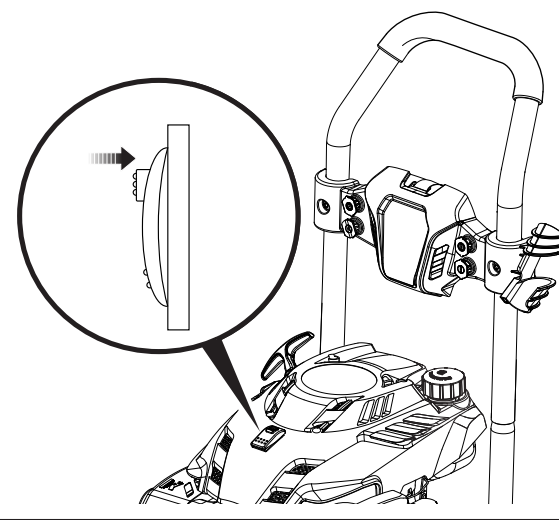
2 Turn the fuel valve to OPEN (see page 11).



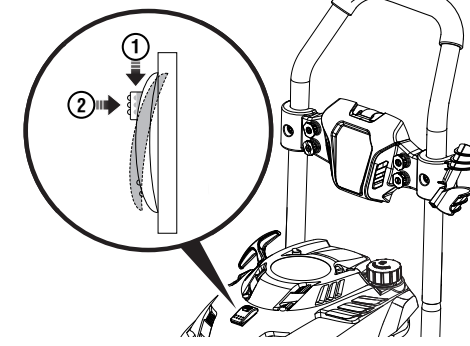
3 Pull choke out to the START position (see page 11).



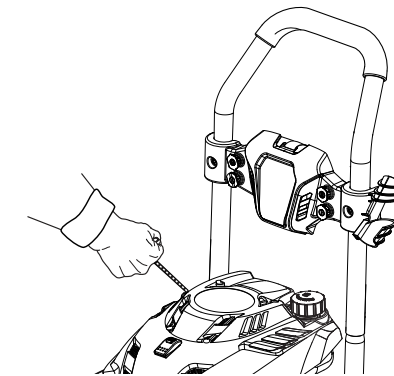
4 Push in at the top of the switch to turn engine ON (see page 11).



5 Slide the lock button down and push the engine switch to the START position. Engine can also be started by pulling the recoil starting grip until the engine runs (see page 11).

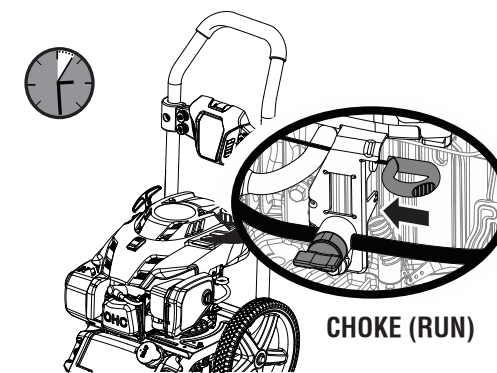


SLIDE LOCK BUTTON DOWN AND PUSH ENGINE SWITCH TO START  
OR PULL STARTER GRIP AND ROPE TO START



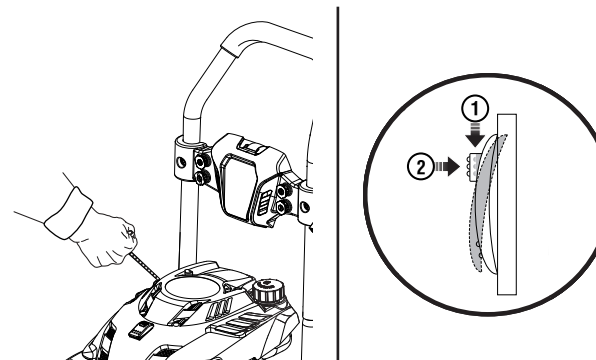
If the engine does not start after each pull of the starter grip and rope or after the engine switch is moved to the START position, squeeze the trigger to relieve water pressure before attempting to start the engine again.

6 Allow engine to run for several seconds, then push choke in to RUN position (see page 11).



### RESTARTING THE UNIT (HOT RESTART)

1 Pull starter grip and rope to start or push the engine switch to the START position (see page 11).

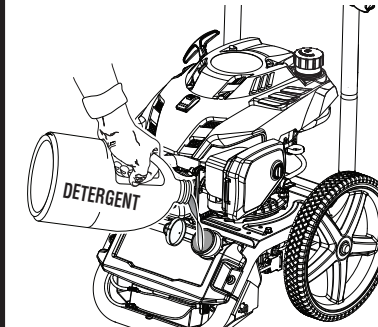


If the engine does not start:

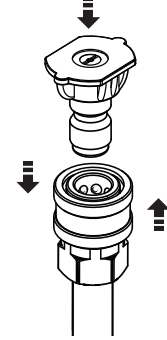
- check for enough fuel;
- may need to adjust choke position;
- try starting again.

### USING DETERGENT

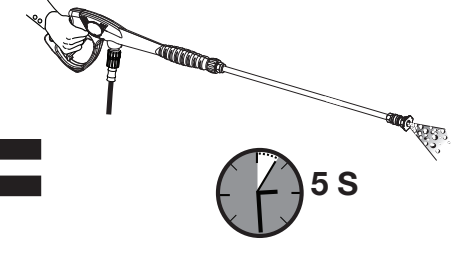
1 Pour pressure washer detergent in soap tank (see page 13).



2 Install blue soap nozzle (see page 12).



3 Squeeze trigger and wait approx. 5 seconds for detergent (see page 13).

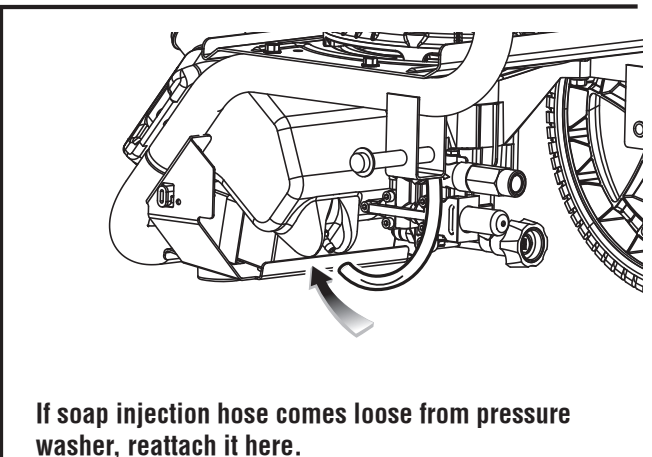


**BLEACH**

Use of soap nozzle will activate soap injector at a 20:1 dilution ratio.

WARNING! Never use bleach or solvent-based detergent.

- Will damage your pump
- Will void your warranty
- Will damage plants/shrubs



If soap injection hose comes loose from pressure washer, reattach here.

### NOZZLE SELECTION GUIDE

Use the chart below to determine the correct nozzle for your job.

0° 25° 40° SOAP	HIGH PRESSURE (NO SOAP WHEN USING THESE NOZZLES)			LOW PRESSURE (FOR SOAP OR GENTLE RINSE)
	0° Red	25° Green	40° White	Blue Soap Nozzle
ABRASIVE				
GENTLE				
Concrete, Brick, Masonry	✓	✓	✓	✓
Siding, Gutters, House		✓	✓	✓
Fencing, Deck, Patio		✓	✓	✓
Lawn Equipment, Boat, RV		✓	✓	✓
✓ Recommended Nozzle ✓ Use With Caution for Certain Applications				

### BEFORE STORING THE UNIT

1 Always add Pump Protector to the unit after each use and before storing. This will significantly improve pump life. (See page 13)  
Pump Protector is available from your local retailer. For further assistance, call customer service at 1-877-617-3501.  
To add, follow the instructions provided by the Pump Protector manufacturer.



Make the most of your purchase! Go to [www.ryobitools.com](http://www.ryobitools.com) and register your new tool online. For questions about operating or maintaining your product, please call, 1-800-860-4050.